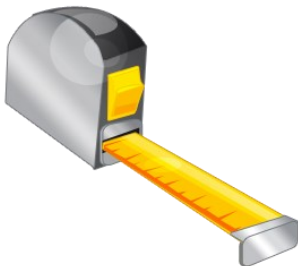


Building Permits

A Building Permit is required for:

- ⇒ Exterior stairs that are four or more risers high
- ⇒ Exterior landings that are greater than 2.25 m² (or 25 sq ft.) in area, and/or landings that are 600mm (24") above grade level
- ⇒ Decks that are more than 200mm (8") above grade level
- ⇒ Roof enclosures over an existing deck



BUILDING STANDARDS DEPARTMENT

CITY OF MELVILLE
Box 1240
420/430 Main St
Melville SK S0A 2P0

Telephone:
306-728-0217 or
306-728-6840

Fax:
306-728-5911

E-mail:
fire@melville.ca

Office Hours:
9:00am—4:00pm
Monday—Friday

This pamphlet has no legal status and cannot be used as an official interpretation of the various codes and regulations currently in effect. The City of Melville accepts no responsibility to persons relying solely on this information.



Deck Checklist



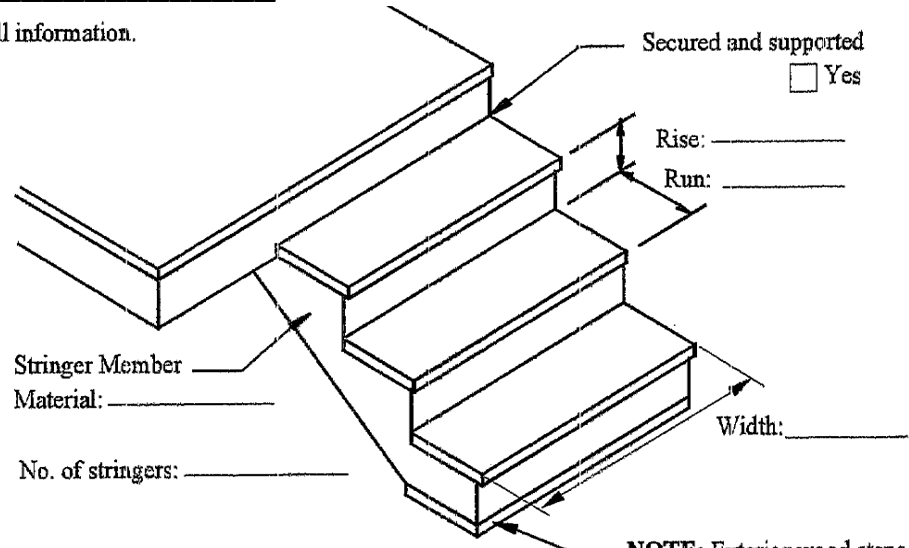
Deck Checklist Homeowner Name: _____

Street Address: _____

Please complete all information.

Property Line

Sketch house footprint and deck location with distances to Property Lines. Show overall dimensions of the deck.



NOTE: Exterior wood steps shall not be in direct contact with the ground unless suitably treated with a wood preservative.

NOTE: Handrail required when more than 3 risers.

NOTE: Guard rail required when deck height is > 24" (600 mm) above finished grade.

